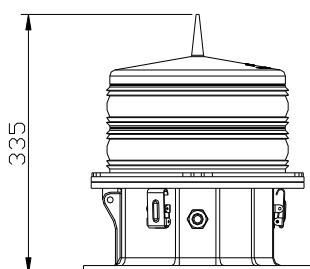
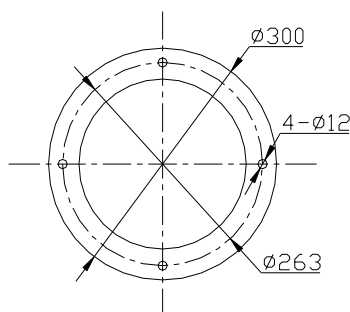
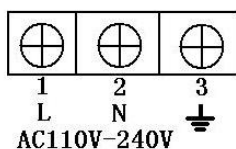




Mounting dimension (unit: mm)



Wiring



Applications



Applications:

For marking Towers (Telecom, GSM), Smokestacks, Buildings and any other potentially hazardous obstructions to air traffic.

Main functions and features:

- Design Based on Fresnel lens optical principle
- LED technology, extremely reliable and cost saving.
- Lamp housing –Polycarbonate, with good anti-impact strength, thermal stability, high transmittance
- Base material--aluminum alloy base, anti-vibration, corrosion-resistant
- External sealing material: waterproof seal
- Combustibility rating: UL94V0
- Wind rating: $\geq 49\text{m/s}$
- Automatic Switching: luminous intensity switches with ambient light automatically. Day $20000 \pm 25\%$ cd(white), night $2000 \pm 25\%$ cd(red).
- The factory has been set up 40 times/ min.
- Customized function: fault alarm outputting function/ GPS synchronous function .
- Option accessories: mounting bracket / leading wire(wire length can be customized)

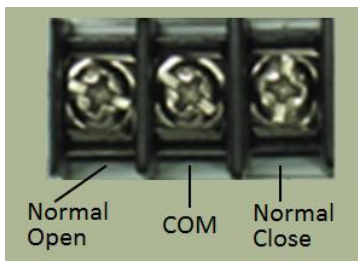
Specification

International standard	ICAO-Type A + Type B	Vertical degree	3°
Light source	LED	Horizontal degree	360°
Color	Day : white night:red	Flashing rate	20/30 /40times/min
Voltage	AC110V~AC240V	Flashing duration	Day : 10ms night:60ms
Power consumption	Day $\leq 10\text{W}$ night $\leq 10\text{W}$	LED life	$\geq 100,000\text{h}$
Light source power	white $\geq 450\text{W}$ red $\geq 45\text{W}$	On/Off level	50lux
Intensity	Day $20000\text{cd} \pm 25\%$ (white) Night $2000 \pm 25\%$ cd(red)		
Working type: flash			
Ambient temperature	$-40^{\circ}\text{C} \sim +70^{\circ}\text{C}$	IP protection	IP65
Humidity	10% ~ 95% (no coagulation)	Weight	9.5kg

Installation and operation

- Secure the light on a smooth surface which has enough strength, if there is no mounting surface, we can customize special mounting bracket as request.
- When installation, please stay away the nearby light source, at the same time, ensure the photocell do not cover by the near object.
- Make sure the power supply can match the rated power of light before connecting.
- Unfasten 3 tache and overturn the lamp body, comes out the connection terminal.
- Access the power from waterproof connect, compliant with lab to connect correct power signal cable and ground cable from terminal.
- Pleas button clasp after finish connect cable. Ensure everything ok, light working after connect power 1 min.
- GPS synchronization test should be in the outdoor environment without any block. Synchronization takes about 15 minute.(Only suit for the type of synchronization with GPS).

(alarm) Terminal wiring diagram
In kind prevail



产品应用图



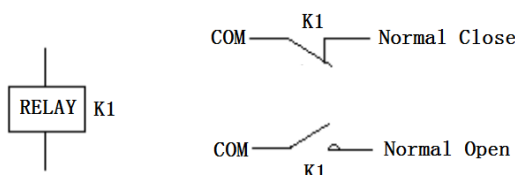
Method

- The product with flash work mode manual adjustable function, also with fault alarm function.
- Method for flash work mode: disconnect the power supply, take apart the light and dial the switch with screwdriver.

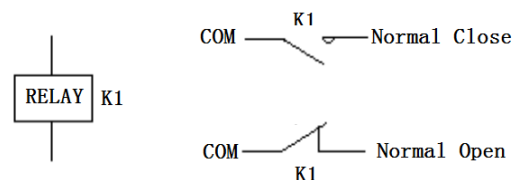
Dial Code	1 1	1 0	0 0
Dial Switch Figure			
Light work Mode	Flash 20times/Min	Flash 30times/Min	Flash 40times/Min

•Fault alarm function :

When the light don't connect the power supply or the work current for light is low: relay has no action," COM" and "Normal Close" terminals closed, as shown.



When the light connect the power supply and work normally: the relay work, " COM" and "Normal Open" terminals closed, as shown.



- If need to receive the " disconnection" signal when no power supply connection or fault,alarm signal wire should connect at "COM" +" Normal Open" termianl ;
- If need to receive the "clsloed" signal when no power supply connection or fault,alarm signalwire should connect at "COM" +" Normal Close" terminal.